



International Symposium on Advanced Technology and 3D Printing in Orthopaedics

9 September 2023 (Saturday) Shatin, Hong Kong

Invited Speakers



Prof. Hong CAI
China



Prof. Max Qinghu MENG
China



Prof. Igor DRSTVENSEK
Slovenia



Prof. Guoxian PEI
China



Prof. Shaolong KUANG
China



Prof. Hongxun SANG
China



Prof. Yuxiao LAI
China



Prof. Yu WANG
China



Prof. Huashui LIU
China



Prof. Jia YU
China

Local Speakers

Prof. Kelvin CHONG

Prof. Elvis CHUI

Mr. Ajax LAU

Prof. Sheung Wai LAW

Prof. Wayne LEE

Dr. Michael MAK

Dr. Sibyl MAK

Prof. Michael ONG

Prof. Ling QIN

Dr. Haoran SUN

Organizing Committee

Chairman

Prof. Patrick SH YUNG

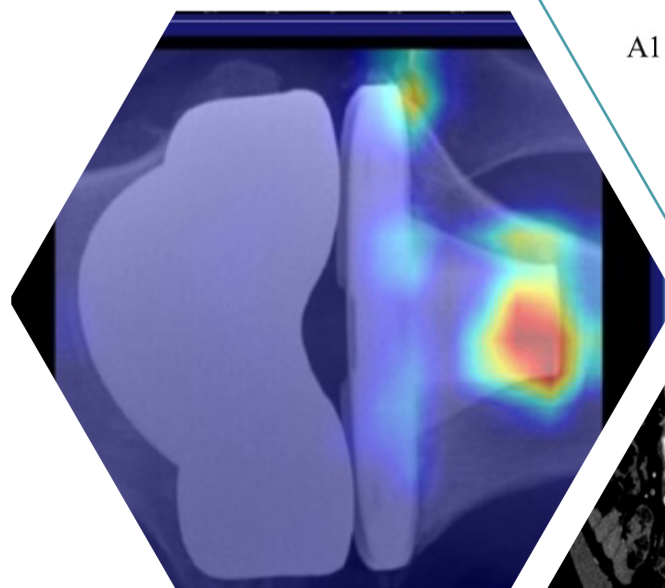
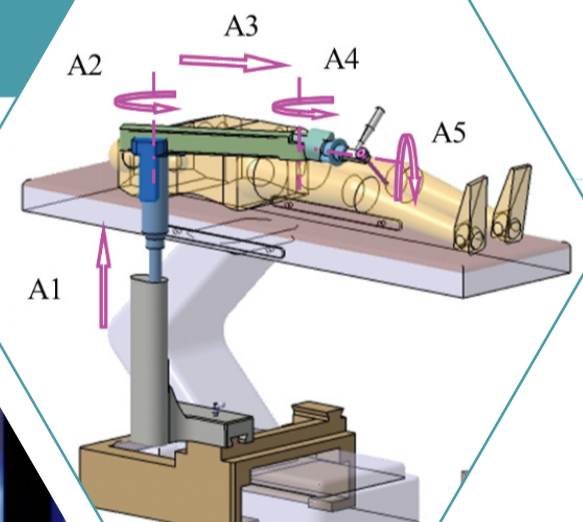
Committee Member

Prof. Sheung Wai LAW

Prof. Louis WH CHEUNG

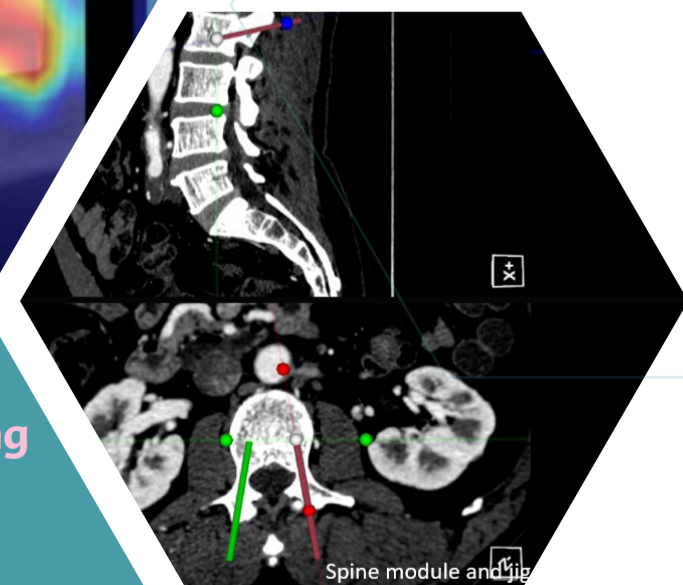
Prof. Ling QIN

Prof. Elvis CS CHUI



HKCOS Saturday Inter-hospital Meeting

Time: 08:30-10:15
Registration is Required



Venue: 9/F Auditorium, CUHK Medical Centre
9 Chak Cheung Street, Shatin, New Territories, Hong Kong



Program Secretariats:

Cassia TANG : (852) 3505 3483

Mandy TSE : (852) 3505 1601

Email: olc-ort@cuhk.edu.hk

This material/event is funded by the Professional Services Advancement Support Scheme of the Government of the Hong Kong Special Administrative Region.

Disclaimer: Any opinions, findings, conclusions or recommendations expressed in this material/any event organised under this project do not reflect the views of the Government of the Hong Kong Special Administrative Region or the Vetting Committee of the Professional Services Advancement Support Scheme